

## Technical Data BA60I

Performances	rps	60	60	60	90	120
		<b>A10W35</b>	<b>A7W35</b>	<b>A2W35</b>	<b>A-7W35</b>	<b>A-15W35</b>
Heating Capacity	kW	23.6	22.3	15.7	18.0	20.6
Cooling Capacity	kW	19.3	18.0	11.6	11.8	12.4
Power In	kW	4.6	4.6	4.4	6.7	9.0
COP	-	5.12	4.84	3.60	2.68	2.30
Operating Current	A	10.3	10.3	9.9	13.7	17.3

### Compressor

Type	BLDC Inverter	
Speed	15-150	rps
Charge FVC68D oil	1.4	l
LRC***	-	A
Max. Op. Current	35	A

### Evaporator

Type	Coil	
Material	Al/Cu	
Heat Transfer Area	84	m <sup>2</sup>
Fin Spacing	2.1	mm
Max Overpressure	4.2	Mpa
Air Flow	max.10	m <sup>3</sup> /h
Fan Motor	max. 0,6	kW
Fan Diameter	630	mm
Speed	max.950	1/min
Sound Power Level	69	dB"A"
Defrost	reversal	

### Condenser

Type	PHE	
Material	AISI316	
Water Flow	1.13	kg/s
Minimum flow	0.24	kg/s
Temp. Difference	5	K
Water volume	10.9	l
Max. Water Overp.	250	kPa
Max. Ref. Overp.	4.2	MPa
Pump Ext. Head	2.0	m
Pump Motor	130	W

### Refrigerant Circuit

Refrigerant	R410a	
Charge	5.0	kg

EN14825	55°C	Pd[kW]	SCOP
Average		24	3.41
Warmer		30	4.36
Colder		31	2.97

### Aux. Heater

Heating Capacity	7.5(+7.5)	kW
------------------	-----------	----

### Controls

Controller	pCO5	
EEV	Yes	
Water Probe	Yes	
SHW Probe	Yes	
Outdoor Probe	Yes	
Dynamic Set Point	Yes	
Refrigerant Probe	2xPT	

### Power Supply

Voltage	3x400	V
Frequency	50	Hz
Max. Current C (H)	32(50)	A

### Connections and Dimensions

Hot Water	1	"OD
He x Wi x De	165x130x101	cm
Weight	275	kg

### Limits

Water Overpressure	0.25	MPa
Ref. Overpressure	4.2	MPa
Air Min/Max	-15/+35	°C
Water Min/Max	20/64	°C

\*A2W35, acc. to EN14511, condenser dT=5K

"A2" Air Inlet +2°C

"W35" Water Outlet 35°C

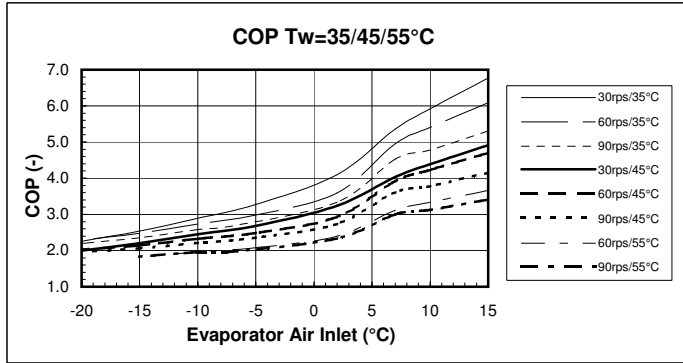
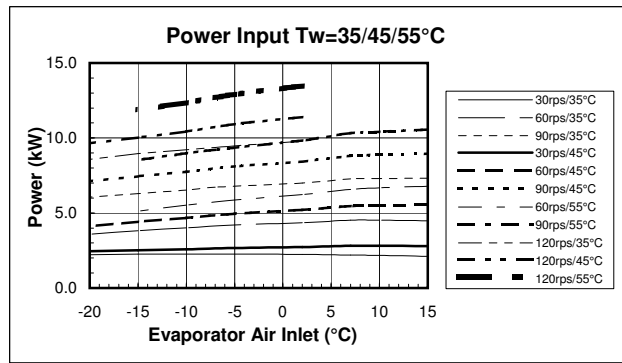
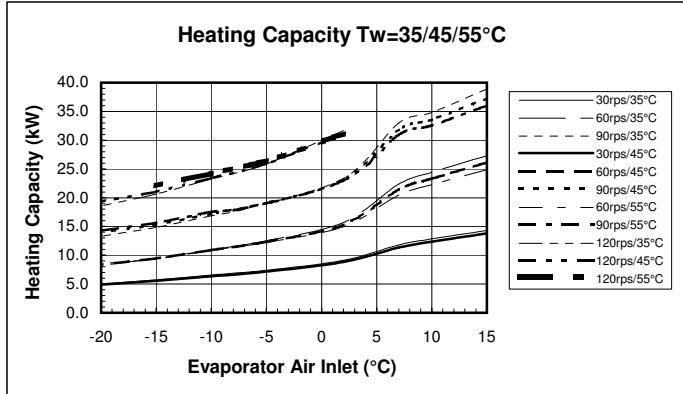
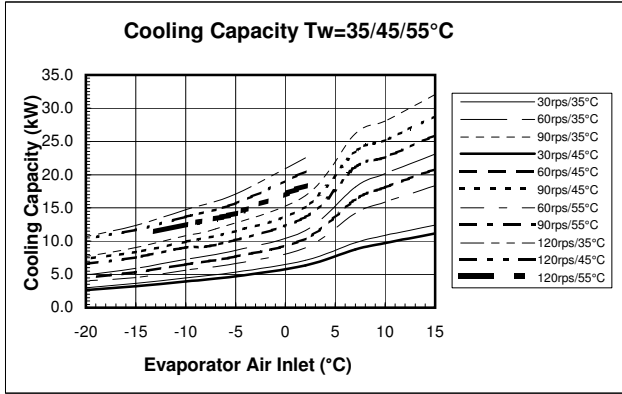
Defrost energy considered.

Performance Tolerance ±5%

EN14825	35°C	Pd[kW]	SCOP
Average		22	4.45
Warmer		31	6.19
Colder		32	3.58

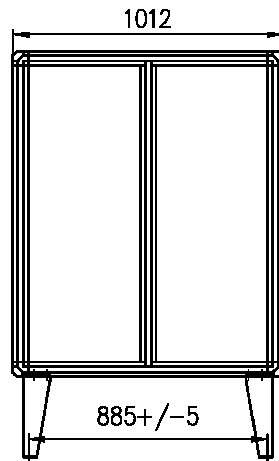
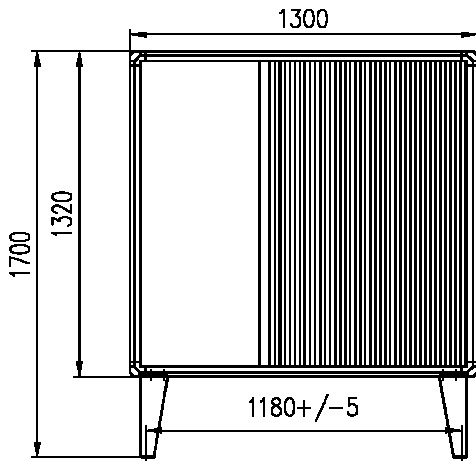
Technical Data BA60I

Performance \*



\* Performance Tolerance  $\pm 10\%$ , defrost energy included

Dimensions, Connections



- 1. Water Outlet 1" OD
- 2. Water Inlet 1" OD
- 3. Electrical Bushings  
1xPG21  
1xPG29

