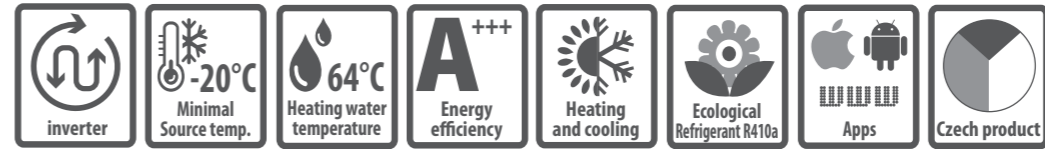
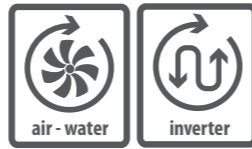


# HEAT PUMPS

## FOR LARGE OBJECTS



Model	A7W35		A7W35		A2W35		A-7W35		A-15W35		Seasonal heating energy efficiency - low-temperature operation 35°C				Seasonal heating energy efficiency - medium-temperature operation 55°C				Max. heating water temperature (°C)	Circuit breaker <sup>2)</sup>	Compressor, supply voltage 3ph/1ph	Weight (kg)	Leakage control of refrigerant circuit EP 517/2014	Price EUR EXW CZ		
	Power kW	Heat loss Qz (kW)	Power kW	COP	Power kW	COP	Power kW	COP	Power kW	COP	Power kW <sup>3)</sup>	SCOP	ηs %	Class	Power kW <sup>3)</sup>	SCOP	ηs %	Class								
<b>BoxAir Inverter (compact, inverter)</b>			60 Hz		60 Hz		80 Hz		90 Hz																	
<b>BA60I</b>	10-35	to 28	22,3	4,84	15,8	3,65	18,1	2,98	19,2	2,65	22	4,47	176	A+++	24	3,42	134	A++	64	40"A"	3x400 V~	275	yes	on request		
<b>BoxAir Inverter Split (split, inverter)</b>			60 Hz		60 Hz		80 Hz		90 Hz																	
<b>BA60IS</b>	10-35	to 28	22,3	4,84	15,8	3,65	18,1	2,98	19,2	2,65	22	4,47	176	A+++	24	3,42	134	A++	64	40"A"	3x400 V~	200+80	yes	on request		
<b>BoxAir (compact, on-off)</b>																										
<b>BA75Z</b>	30,8	to 31	30,8	4,0	23,2	3,2	18,5	2,6			31	3,61	141	A+	30	2,92	114	A+	55	25"A"	3x400 V~	275	yes	on request		
<b>EasyMaster (split, on-off)</b>																										
<b>EM60Z</b>	24,6	to 25	24,6	4,1	18,8	3,2	15,0	2,7			25	3,56	140	A+	24	2,86	111	A+	55	25"A"	3x400 V~	200+80	yes	on request		
<b>EM75Z</b>	30,8	to 31	30,8	4,0	23,2	3,2	18,5	2,6			31	3,61	141	A+	30	2,92	114	A+	55	25"A"	3x400 V~	200+80	yes	on request		

<sup>1)</sup> Performance data according to ČSN EN 14 511, in accordance with the EHPA requirements for quality mark Q. A7W35 60 Hz - air 7 °C, water 35 °C, compressor frequency 60 Hz

<sup>2)</sup> Recommended value of el. 3x400V fuse, incl. Auxiliary integrated electric boiler.

<sup>3)</sup> Design power at outdoor temperature -10 °C according to ČSN EN 14 825.

### Options

- Internet HP control Master
- Full Cooling reversing
- Terminal pAD temperature compensation
- Terminal pADh floor cooling
- Expanded control module
- Cascade control Master Lan
- Communication protocol ModBUS RTU
- Internal unit (silver or red colour)
- External unit (silver)
- External unit colour on demand RAL code
- for models EM60Z, EM75Z and BA60IS:**
- Ext.electric heater 7,5+7,5 kW
- Ext.electric heater 12+18 kW
- Desuperheater
- Modification to IndoorSplit

### Standard equipment

- ✓ Electric boiler 6+6 kW (for model BA60I and BA75Z)
- ✓ Integrated graphic terminal PGD
- ✓ Electronically controlled coolant injection
- ✓ Equitherm control system MaR
- ✓ New low-noise fan
- ✓ Built-in circulator pumps for primary and secondary circuits
- ✓ Main power supply switch

### Features

- ▶ Use for heating and cooling
- ▶ The temperature of heating water to 55 °C (64 °C)
- ▶ Temperatures range from +40 °C do -20 °C
- ▶ Very easy installation, quiet operation
- ▶ Control up to 6 heating circuits

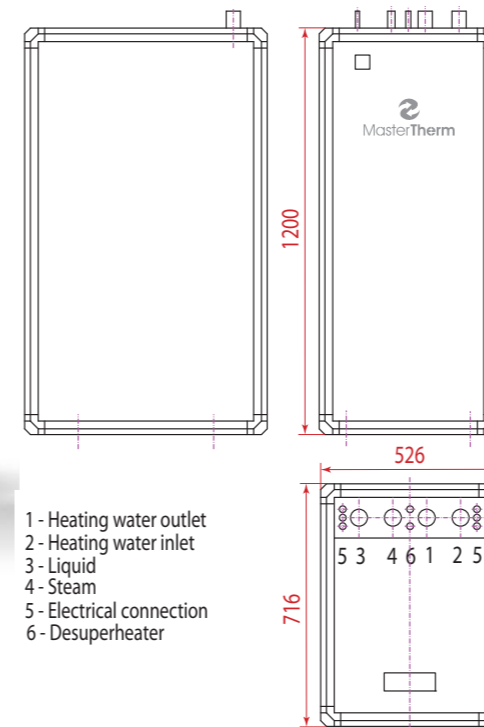


BA60IS, EM60Z-75Z (split)

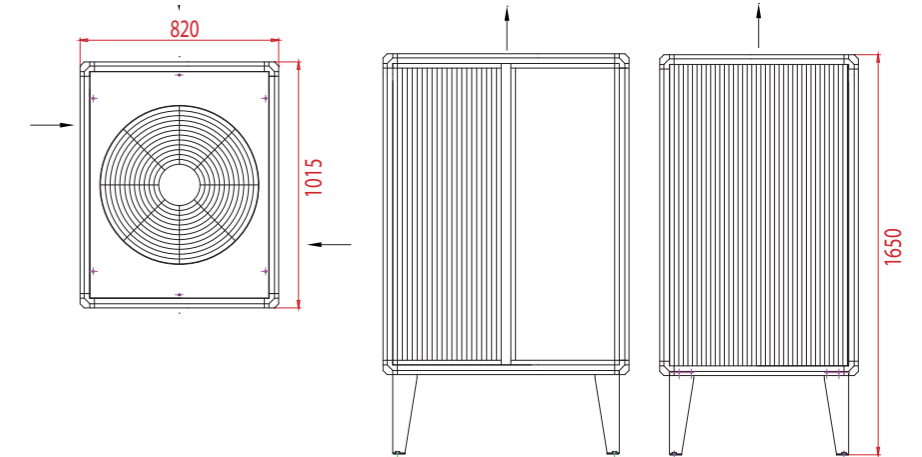


BA60I, BA75Z (compact)

Internal unit BA60IS, EM60Z and EM75Z:



External unit BA60IS, EM60Z and EM75Z:



Compact unit BA60I and BA75Z:

